



The Longhe Range

Delivered Today,
Built For Tomorrow

This versatile range of attachments includes: **Rotators, Rotating Fork Clamps, Bale Clamps, and Turn-A-Forks**. These attachments are designed to make material handling safer, easier, and more efficient. With the **Apex Range**, you get reliable solutions that help your operations tackle a wide variety of applications with confidence.

GENUINE, TRUSTWORTHY, HELPFUL

Competitive Pricing



Our new range of forklift attachments deliver the best value on the market without compromising on quality. At Abbey, you save more than just on the upfront price. Durable equipment and dependable support help control costs and keep your fleet productive. With full warranty coverage and the backing of our nationwide service team, issues are resolved quickly so you can stay focused on driving your business forward.

Next-Day Attachments and Spare Parts Delivery



With Abbey's next day delivery, you get the attachments and spare parts you need exactly when you need them. This speedy service keeps your operations on schedule, reduces downtime, and ensures your team can get on with the job without interruptions or delays.

Robust Attachments



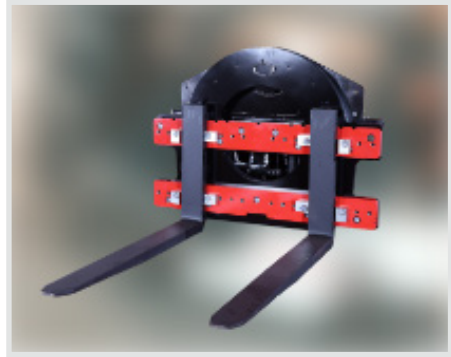
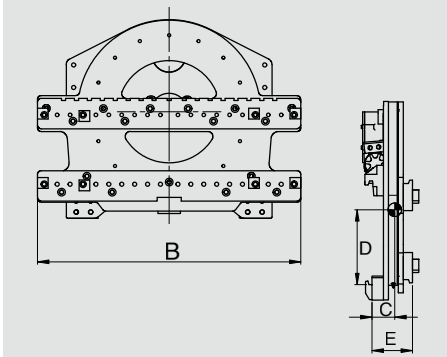
Our robust attachments are built to tackle demanding applications and stay reliable day after day. We keep a wide range of stock held in our UK warehouse, which is ready to ship. This way, you get strong, dependable equipment without delay.

The Abbey Difference



Our team offers ongoing guidance and dependable aftercare well beyond the day your equipment arrives. With over 500 years of experience between them, our engineers offer quick assistance and clear advice to keep everything running smoothly. This will give you confidence that support is always close at hand when it's needed most.

Rotators



Reference	Capacity	Mounting Class	Frame Width	Minimum Carriage Width	Fork Adjustable Max Width	HCG	VCG	Effective Thickness	Weight
	kg @ mm		B mm	mm	OTO	C mm	D mm	E mm	kg
RR-25B7	2500@600	II	1000	800	915	90	296	160	297
RR-35C4	3500@600	III	1200	800	1130	141	300	218	350

OIL FLOW RECOMMENDATIONS

Reference	Recommended Pressure (bar)	Max Pressure (bar)	Rec	Max	Hydraulic Functions
RR-25B7	160	180	25	35	1
RR-35C4	160	180	25	35	1

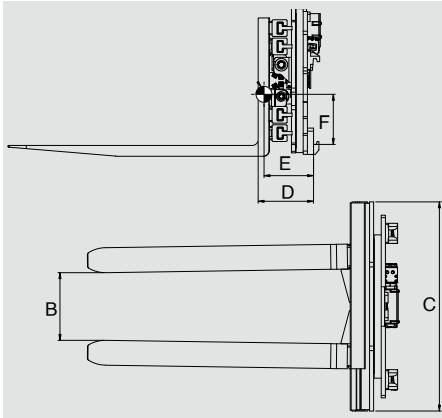
Rotators handle load rotation and container emptying with ease across recycling, waste, food, and industrial operations. A broad choice of capacities ensures the right match for each job.

✓ Wide visibility window gives a clear view of fork tips while sealing out dust and debris.

✓ High torque provides smooth, controlled rotation for steady load handling.

✓ Stable build delivers lasting strength and dependable performance.

Rotating Fork Clamps



Reference	Capacity kg @ mm	Mounting Class	Opening Range B mm	Frame Width C mm	Minimum Carriage Width mm	Fork Size mm	Effective Thickness D mm	HCG E mm	VCG F mm	Weight kg
RFC-23B9	2300@600	II	310-1550	1070	800	50 x 125 x 1200	312	312	270	617
RFC-23C9	2300@600	III	310-1550	1070	800	50 x 125 x 1200	355	293	292	617
RFC-32C5	3200@600	III	400-1790	1150	1030	50 x 150 x 1220	318	233	301	950

OIL FLOW RECOMMENDATIONS

Reference	Recommended Pressure (bar)	Max Pressure (bar)	Rec	Max	Hydraulic Functions
RFC-23B9	160	180	25	35	2
RFC-23C9	160	180	25	35	2
RFC-32C5	160	180	25	35	2

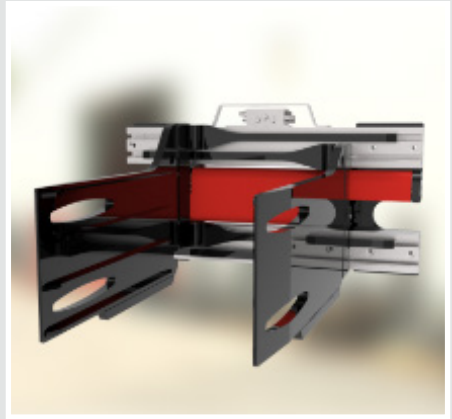
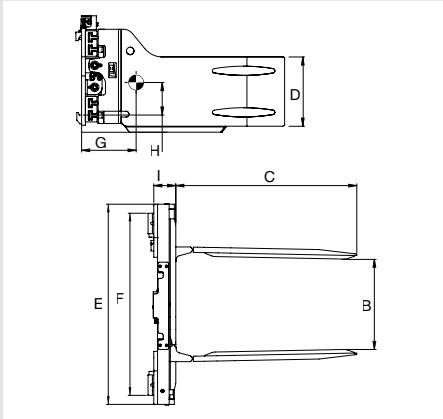
These forklift attachments combine clamping, rotating, and fork spreading in one unit. They can be fitted with different slip-on arms for specific tasks and are ideal for industries like recycling, manufacturing, food, and logistics.

3 Built for consistent performance in busy operational environments.

T-profile slides ensure stable, precise movement during operation.

360-degree rotation in both directions. Optimised weight, effective thickness, and centre of gravity.

Bale Clamps



Reference	Capacity	Mounting Class	Opening Range	Arm Length	Arm Height	Frame Width	Minimum Carriage Width	HCG	VCG	Effective Thickness	Weight
	kg @ mm		B mm	C mm	D mm	E mm	F mm	G mm	H mm	I mm	kg
BC-28B2	2800@500	II	570-1920	1185	460	1020	920	373	216	145	585
BC-28C15	2800@500	III	600-2300	1200	460	1320	1060	362	214	145	625

OIL FLOW RECOMMENDATIONS

Reference	Recommended Pressure (bar)	Max Pressure (bar)	Rec	Max	Hydraulic Functions
BC-28B2	160	180	25	35	1, 2 (if sideshifting)
BC-28C15	160	180	25	35	1, 2 (if sideshifting)

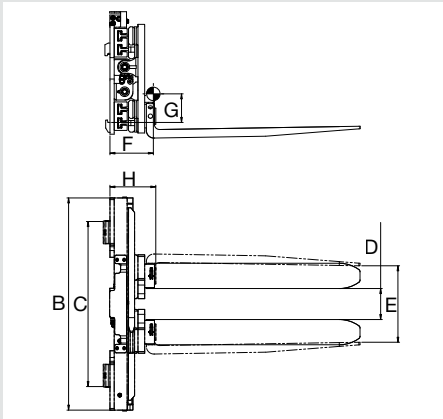
Bale Clamps make handling and stacking baled materials safer, quicker, and more efficient. They improve grip and control, helping your team move wool, paper, textiles, or recycled material with ease and confidence.

✓ Superior arm-slide bearings extend service life and reliability.

✓ Durable T-beam sliding pair delivers long-lasting strength and performance.

✓ Inner arm fillet design improves grip, reducing product waste.

Turn-A-Forks



Reference	Fork Capacity	Clamp Capacity	Mounting Class	Frame Width	Minimum Carriage Width	Opening Range (Fork)	Opening Range (Clamp)	Fork Size	HCG	VCG	Effective Thickness	Weight
	kg @ mm	kg @ mm		B mm	C mm	D mm	E mm	F mm	G mm	H mm		kg
TAF-23B1	2600@500	2300@500	II	1260	1000	180-1630	450-1900	50 x 150 x 1200	257	170	272	540

OIL FLOW RECOMMENDATIONS

Reference	Recommended Pressure (bar)	Max Pressure (bar)	Rec	Max	Hydraulic Functions
TAF-23B1	160	180	25	35	1, 2 (if sideshifting)

Turn-A-Forks add flexibility to everyday handling by letting operators switch easily between pallet work and bulk material jobs. This quick change saves time, cuts equipment wear, and keeps operations moving without extra machinery.

- ✓ Rapid switching reduces downtime between different tasks.
- ✓ Robust design ensures great durability.
- ✓ Greater versatility means fewer attachments are needed for varied loads.



The **Abbey Support**

At Abbey, we offer practical guidance at every stage, ensuring you and your customer get the solution you need.



Maintenance

Regular maintenance keeps your equipment performing safely and reliably, ensuring your operations stay on track.



12-month **Warranty**

All equipment is backed by a warranty and ongoing support from Abbey's technical and engineering team.



Parts **Availability**

We keep a full range of parts available to replace worn or damaged components without delay.





Didn't Spot the Attachment You Need?

If it's not in here, it doesn't mean we don't do it!

Talk to us. We work with customers every day to tailor equipment around their applications.

We take the time to understand your needs and find the right solution together. You can count on expert advice, quick delivery, and dependable support every step of the way.

Speak to one of our experts

0161 766 8885

enquiries@abbeyattachments.co.uk

www.abbeyattachments.co.uk